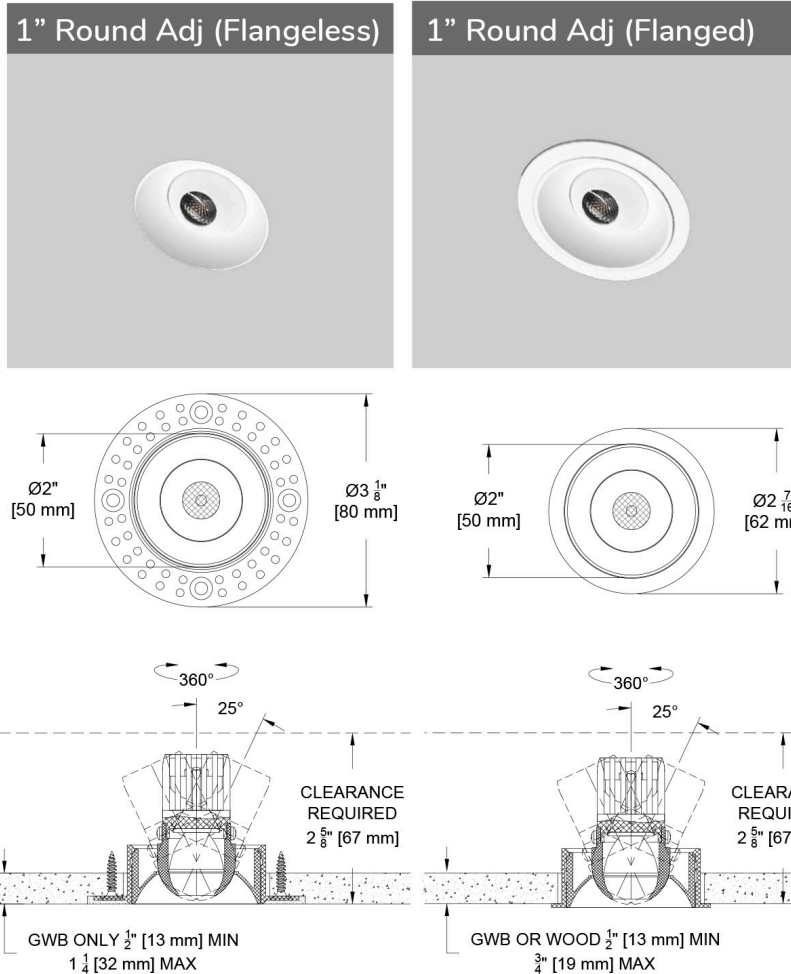


The Confetti Family

Just like little pieces of paper floating from the sky can create an amazing image in a parade, Confetti™ offers a fun way to deliver light in small packages. The Confetti™ family's array of options include recessed downlights, wallwashers, eyeball adjustables and surface offerings in the form of tiny monopoints and pendants. Have some fun and throw some Confetti™ to light your space.



PROJECT:

TYPE:

SPECIFIER:

DATE:

Key Points (CF1D-RA)

Trim

- Distinctive, small 1" round adjustable eyeball within small shallow regress aperture.
- Flangeless and Flanged trims available for retrofit type installation, no housing required.
- Unique design of Flangeless Trim allows for truly flat, smooth ceilings when using the Confetti™ Counter Bore Hole Saw. For optimal installation we recommend this tool. Order under accessories.
- Flanged trim features micro-bite wing springs.
- White or Black standard finish for aperture bezel and flanged trims.

Source / Optics

- 2700K, 3000K and 3500K available.
- 3 beamspreads available - 20°, 28° and 32°
- Up to 1257 Peak CD
- CA Title 24 JAB Up to 404 delivered lumens from our very small, 1" aperture
- <3 MacAdam Steps (<3SDCM) for fixed white
- 90 CRI, 60+ R9 Standard
- [View Photometry](#)

Housing

- CA Title 24 JAB IC Rated / airtight housing approved for use in direct contact with insulation meeting CA Title 24 requirements.
- UL - listed for Wet Location
- Wire pigtails are CMP rated for plenum use.

Drivers





- Configurable driver box for up to 4 Confetti™ fixtures on a single remote driver. Can be mixed with other fixtures within the Confetti™ family. Quantity of driver boxes needs to be specified based upon number of fixtures and control zone requirements.
- Remote Universal EldoLED driver, 120-277V
- Flicker free to IEEE 1789-2015 available with EldoLED and TruPhase™ selections
- 0-10, DALI-2, TruPhase™

Ordering Codes

PROJECT: _____ SPECIFIER: _____

DATE: _____ TYPE: _____ QUANTITY: _____

Ordering Code Example: CF1D-RA-F-SG7-30-20-CFD/E1-W-W

FIXTURE	TRIM	SOURCE / WATTS	CCT	BEAM	DRIVER / CONTROL	DRIVER QUANTITY	BEZEL FINISH	TRIM FINISH	ACCESSORIES
CF1D-RA									
Confetti™ 1" Round Adjustable Downlight	Z Flangeless Trim* F Flanged Trim^	SG7 ●● 8W 404Lm* 90+CRI, 65+R9 ●● Supports CA Title 24 compliance to JA8 requirements * Based on Adjustable Eyeball with 32° beamspread View Photometry	27 2700K 30 3000K 35 3500K	20 Spot 28 Narrow Flood 32 Flood	CFD/E1 0-10" 0.1%, UNV (120-277V) log CFD/E2 DALI-2* 0.1%, UNV (120-277V) log CFD/E3 0-10" 0.1%, UNV (120-277V) linear TR2 TruPhase™ 0.1%, (120-120V) log Up to 20W Forward and Reverse compatible Phase Dimming Static White & Ambient Dim only K No driver required. (CFD box has been specified with another Confetti product) * Remote driver only. Maximum 4 fixtures per driver.	# Specify number of drivers Must specify # of driver boxes based upon control requirements and 1-4 fixtures per driver. See Electrical Configuration and Control section of cut sheets for details.	B Black Paint  W White 	B Black Paint  W White Paint  K Blank for use with Flangeless	CCBHS Confetti Counter Bore Hole Saw Controls ATH Lutron Athena Wireless Node <i>Must be used with E2 driver</i> Recommended for proper installation of Flangeless Trims. Only one required per project.

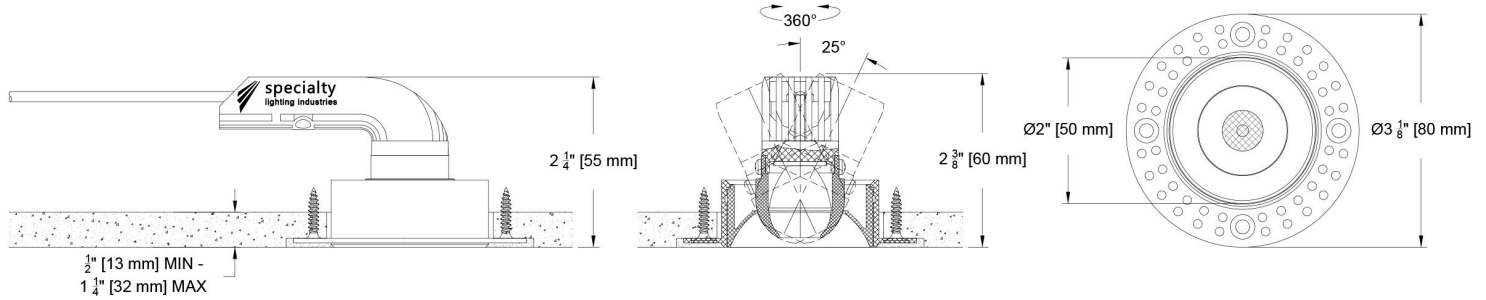
Ceiling Cutouts and Dimensions

Shallow Regress Adjustable Eyeball

Round Flangeless

Adjustable

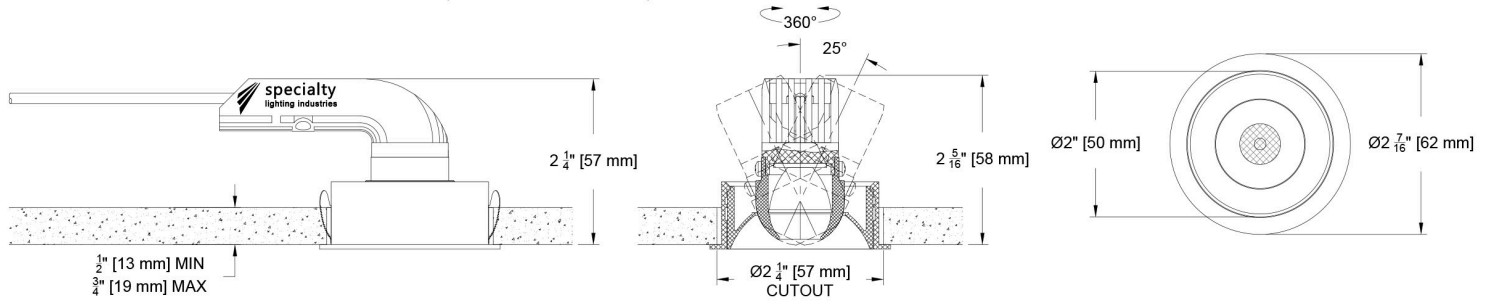
(CF1D-RA-Z-SG7)



Round Flanged

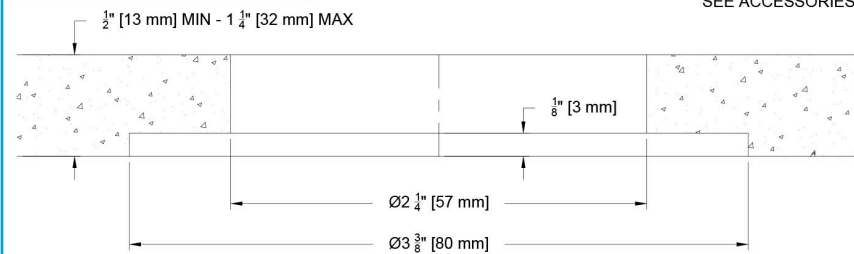
Adjustable

(CF1D-RA-F-SG7)



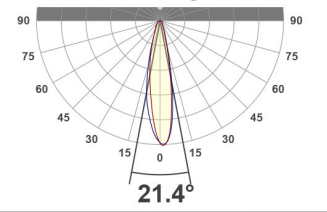
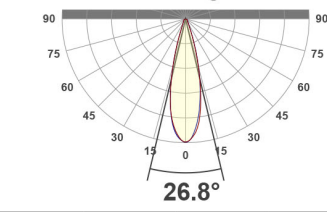
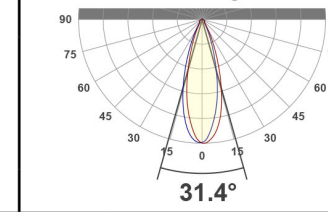
Flangeless Mount Detail

CFCBHS REQUIRED ALONG WITH POWER DRILL FOR THIS CUTOUT. SEE ACCESSORIES



Photometric Table

All data below are delivered lumens based on goniometer measurements of production representative product. All lumen values can vary +/- 10% from LED manufacturer rated nominal flux.

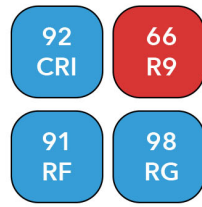
ROUND Beamspreads		20°					28°				32°				
Source	System watts (W)	Delivered Lumens (lm)	Lumens/Watt	Peak CD	10% Field	Delivered Lumens (lm)	Lumens/Watt	Peak CD	10% Field	Delivered Lumens (lm)	Lumens/Watt	Peak CD	10% Field		
Adjustable Eyeball	SG7	8	367	49	1235	47°	390	52	1257	46°	404	54	961	58°	
	CCT Multiplier		Beam angle					Beam angle				Beam angle			
	CCT	CITIZEN													
	2700	0.95	21.4°					26.8°				31.4°			
	3000	1.00													
3500	1.02														
4000	1.03														

All measurements are delivered lumens based on 3000K unless otherwise noted below.
 ISO cd Plots based on Adjustable Eyeball with SG7 Source. Refer to photometry tab on product page for exact ISO cd plot and IES files.

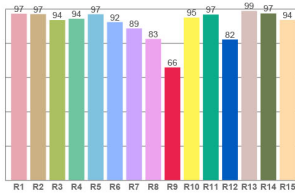
All Color information is based on goniometer measurements of production representative product. All values can vary +/- 10% from LED manufacturer data range as listed on their datasheet.

Specialty Array - SG7

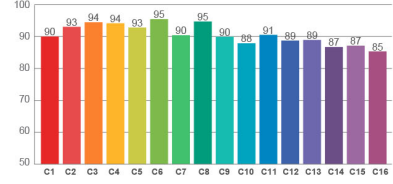
- <3 MacAdam Ellipse (<3 SDCM)
- 90+ CRI and RF
- 60+R9, Hue Bin 1 and 16



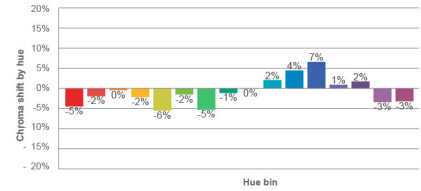
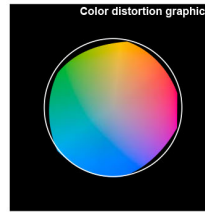
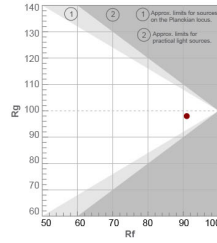
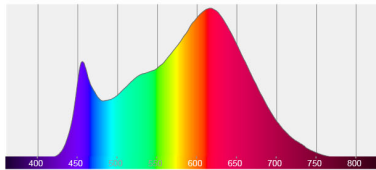
CRI: 92.8 (R1-R8)



TM30: 91.0



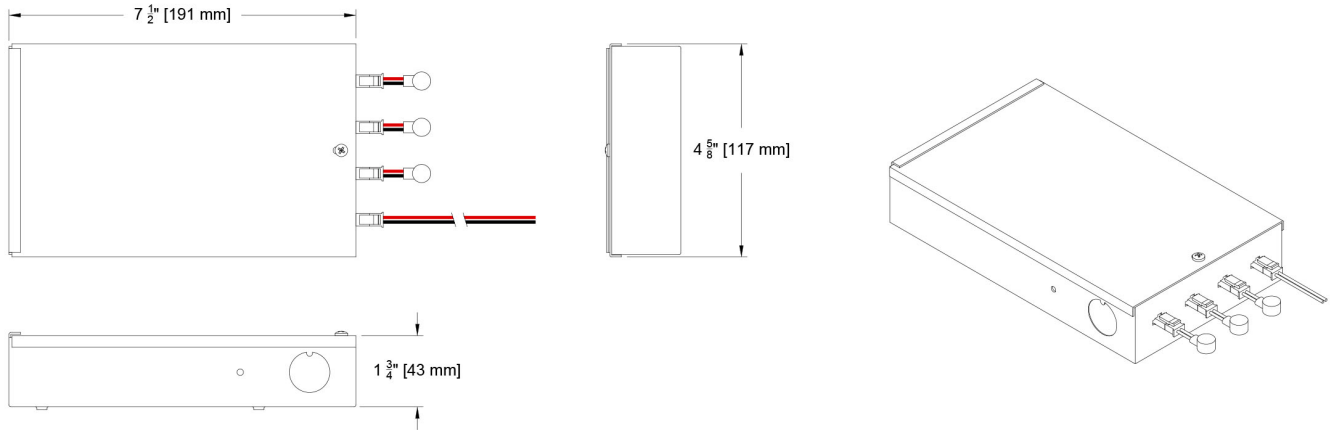
Spectra



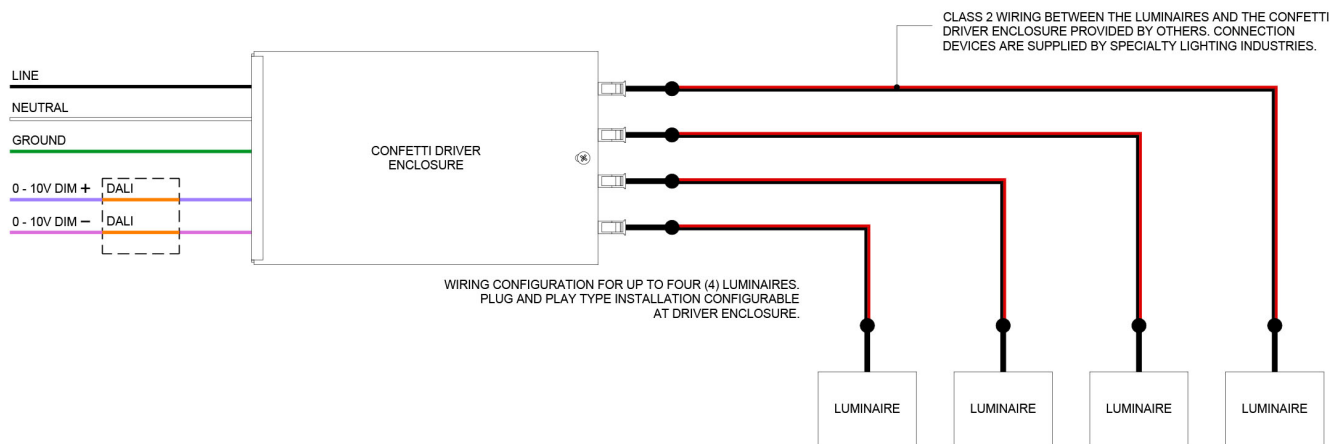
Electrical Configuration and Control

Confetti Driver Enclosure for CFD/E1, CFD/E2, CFD/E3

REMOTE MOUNTING REQUIRED



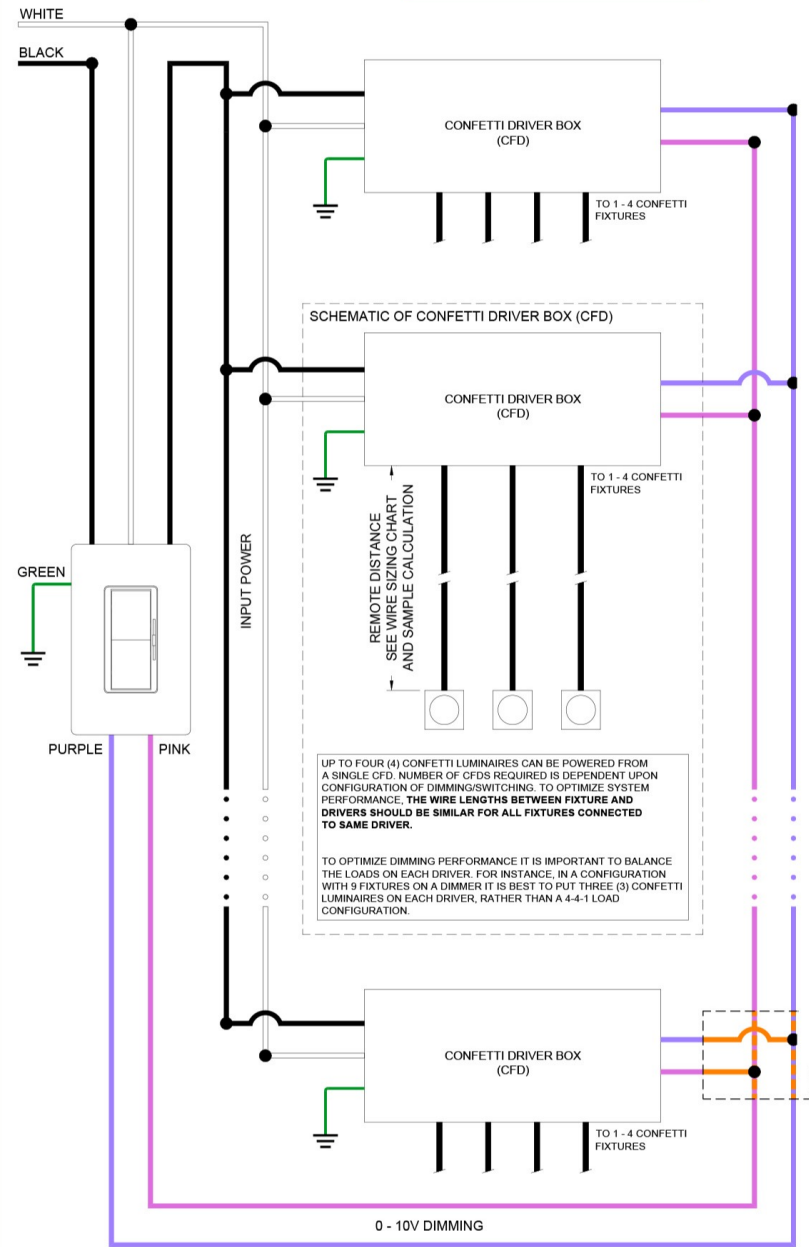
Schematic Wiring Diagram for CFD/E1, CFD/E2, CFD/E3



Electrical Configuration and Control

System Wiring Diagram for Confetti Driver Enclosure

for CFD/E1, CDF/E2, CFD/E3



Remote Wire Sizing Chart

CFD/E1, CFD/E2, CFD/E3 Drivers

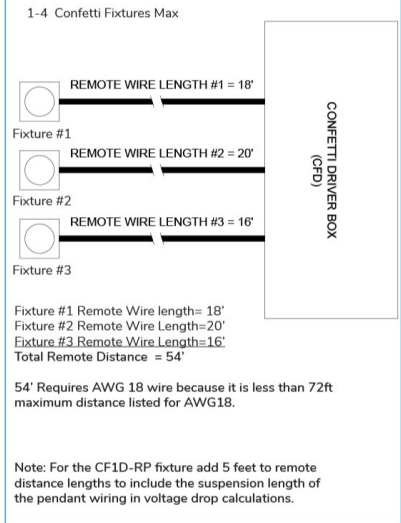
for All Point Sources

Max Remote Distance*	Wire Size
46 ft (14 m)	AWG 20 (0.52 mm ²)
72 ft (22 m)	AWG 18 (0.82 mm ²)
118 ft (36 m)	AWG 16 (1.31 mm ²)

* Max Remote Distance calculated by adding the sum of remote distances for all fixtures connected to driver, i.e. four (4) fixtures connected to a single driver, each 20 feet from driver, the remote distance is 80 feet.
 For more information and dimmer compatibility refer to driver manufacturer's website:
 EldoLED (E2) Drivers - <https://eldoled.com/product/dualdrive>

EXAMPLE 3 Fixtures @ Various Length each

Calculate Max Remote Distance=
 Add the sum of all fixture lengths

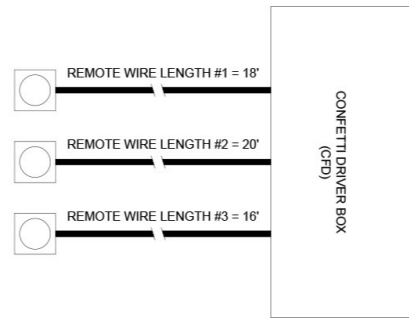
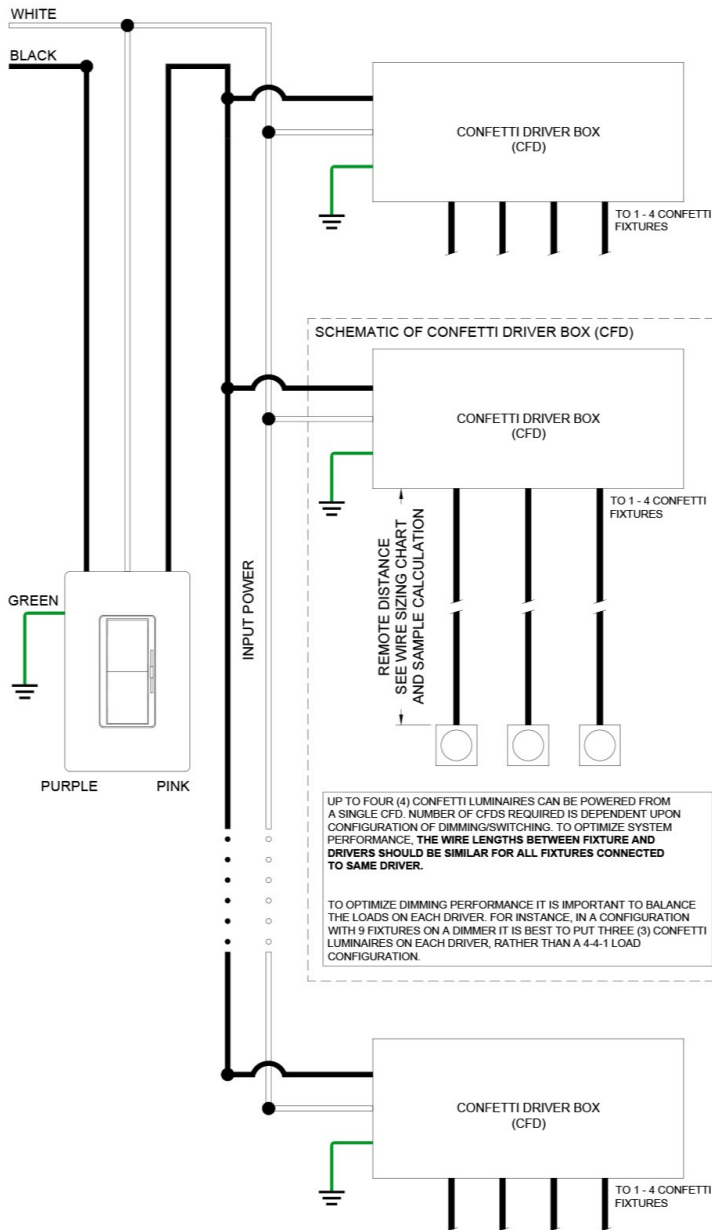


FOR DALI-2 CONTROL WIRE FROM DRIVER ARE ORANGE

Electrical Configuration and Control

System Wiring Diagram for Confetti - TruPhase™ Driver

for TR2



UP TO FOUR (4) CONFETTI LUMINAIRES CAN BE POWERED FROM A SINGLE CFD. NUMBER OF CFDS REQUIRED IS DEPENDENT UPON CONFIGURATION OF DIMMING/SWITCHING. TO OPTIMIZE SYSTEM PERFORMANCE, THE WIRE LENGTHS BETWEEN FIXTURE AND DRIVERS SHOULD BE SIMILAR FOR ALL FIXTURES CONNECTED TO SAME DRIVER.

TO OPTIMIZE DIMMING PERFORMANCE IT IS IMPORTANT TO BALANCE THE LOADS ON EACH DRIVER. FOR INSTANCE, IN A CONFIGURATION WITH 9 FIXTURES ON A DIMMER IT IS BEST TO PUT THREE (3) CONFETTI LUMINAIRES ON EACH DRIVER, RATHER THAN A 4-4-1 LOAD CONFIGURATION.